

## Specifications

Electrical Ratings	200mA @ 30VDC	Actuation Force	200 ± 100gF
Electrical Life	10,000 cycles typical	Actuation Travel	2.0mm per position; 4.0mm total
Contact Resistance	<50mΩ initial	Operating Temperature	-40°C to 85°C
Dielectric Strength	1000Vrms min	Storage Temperature	-40°C to 85°C
Insulation Resistance	>100MΩ min		

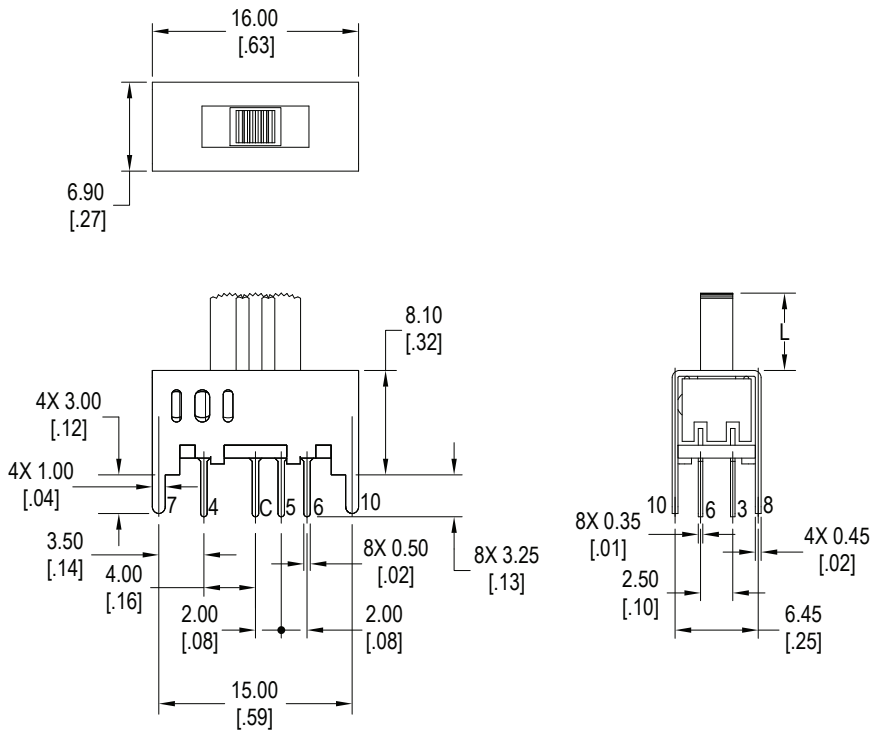
## Materials

Actuator	6/6 Nylon
Housing	Steel
Base	Phenolic
Contacts	Phosphor Bronze, Silver Plated
Terminals	Brass, Silver Plated

## Ordering Information

1. Series	MS2301	L9
MS2301		
2. Actuator Length		
L3 = 3mm		
L4.5 = 4.5mm		
L6 = 6mm		
L9 = 9mm		
L12 = 12mm		

## Dimensions



## Schematic & PC Layout

